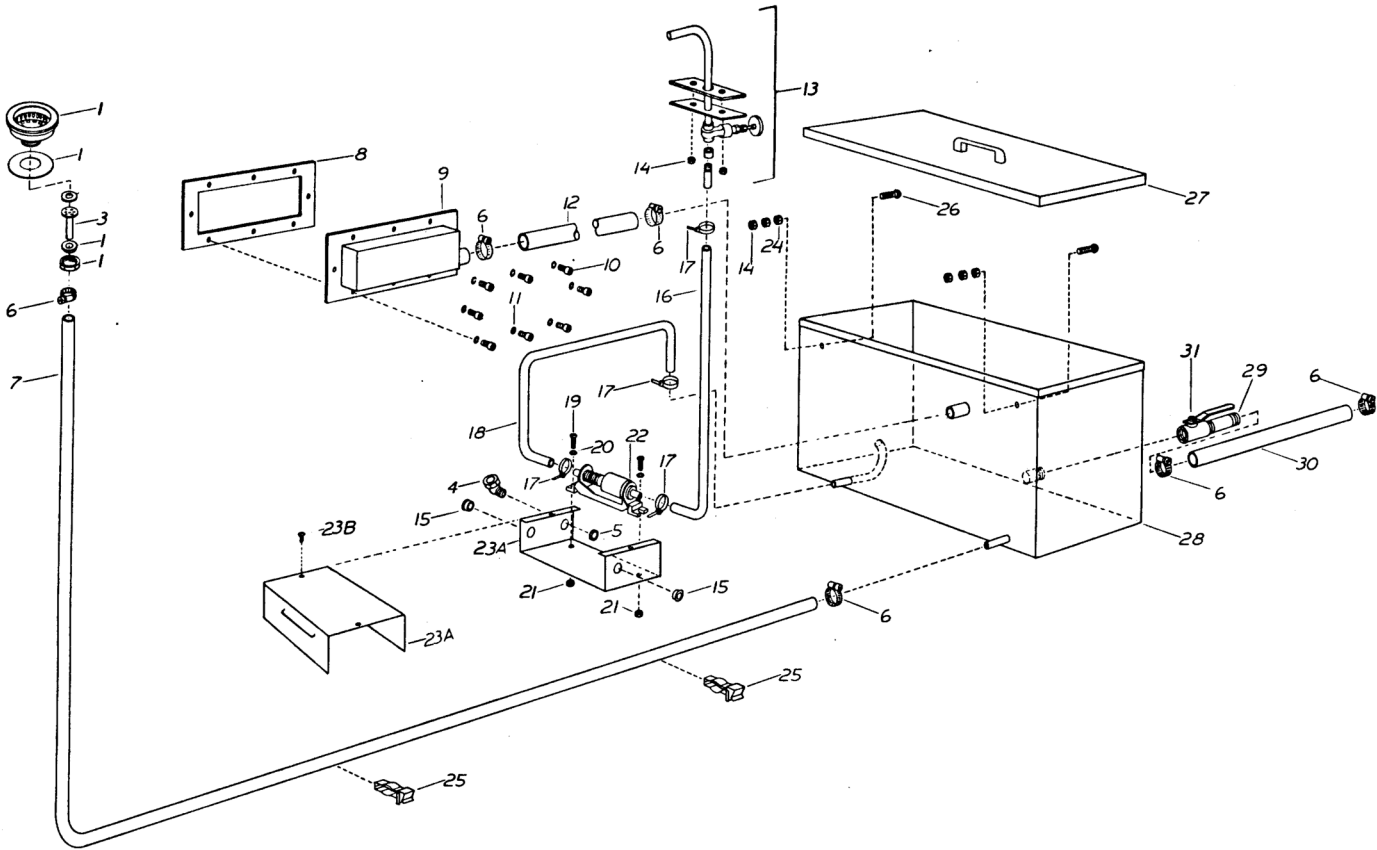


MODEL VM 288 WATER RESERVOIR AND PUMP ASSEMBLY



Ref. No.	Item No.	Description
1	75-1450-014	Sink drain with 1 1/2 NPT
3	12-1412-100	Drain adaptor
4	55-2003-302	Fitting 45 1/2
5	55-2818-004	Locknut electrical
6	70-1000-527	Hose clamp stainless steel M16H
7	65-7112-052	Hose red 5/8
8	19-4201-600	Drain box gasket
9	32-1405-400	Drain box
10	10-1901-420	Flex nut
11	10-1801-420	Lock washer
12	65-6212-863	Drain tube
13	22-1415-800	Gooseneck assembly
14	10-1900-420	Hex nut 1/4-20 x 1"
15	10-1901-420	Flex nut
16	65-6212-862	Clear tubing per foot
17	55-2831-003	Tie plastic
18	70-1000-526	Clamp hose stainless steel M12H
19	10-1005-832	Screw 8/32 x 5/8 stainless steel
20	10-1801-024	Washer lock stainless steel 10-24
21	10-1901-832	Nut flex nut stainless steel 8/3
22A	55-6300-501	Oscillating pump 220
22B	55-6300-500	Pump 115 volt
23A/B	31-1405-700	Enclosure
24	10-1900-420	Hex nut 1/4-20 x 1"
25	70-1000-300	Hanger
26	10-1008-420	Screw 1/4-20 x 1" stainless steel
27	32-1405-301	Tank cover
28	32-1405-300	Reservoir
29	75-5101-200	Nipple 3/4 x 2
30	65-7112-057	Drain hose (per foot)
31	75-8522-025	Valve ball 3/4 NPT



55-6300-500 PUMP

• 15 volt



22-1415-800 GOOSENECK ASSEMBLY