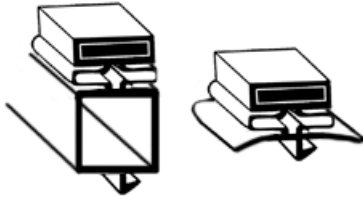
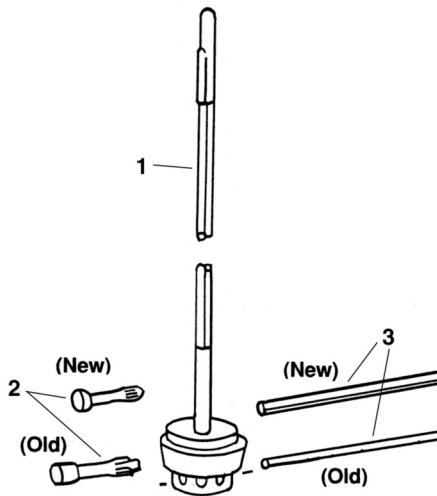


ANTHONY REFRIGERATION PARTS AND ACCESSORIES



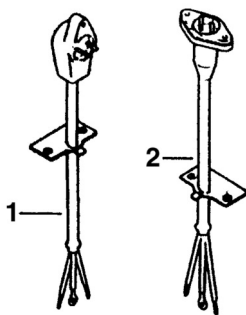
D126A ANTHONY REFRIGERATION GASKET

- Eight foot lengths



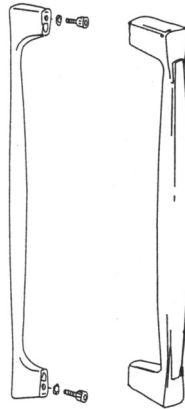
ANTHONY REFRIGERATION ROUND END DOOR CLOSER PARTS

- 1 D1602-48 torque rod
• Uses 1/8" pin
- 2 D1603A 1/8" x 5/8" long set pin
- 3 D1603 1/8" diameter adjusting wrench



ANTHONY REFRIGERATION CORD SETS

- 1 D1621 Angle cord and plug
- 2 D131 Straight cord and plug



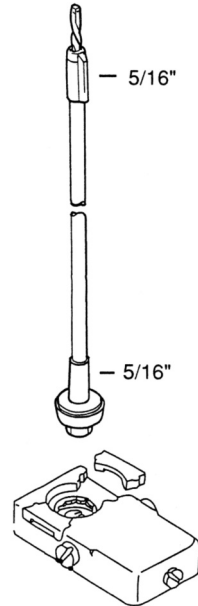
1601 ANTHONY REFRIGERATION CHROME HANDLE

- 13 7/8" overall length
- 13" screw centers



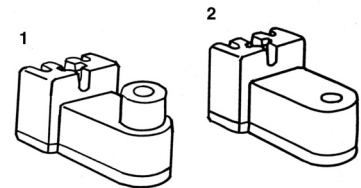
ANTHONY REFRIGERATION TOP HINGE PIVOT

1. F100 2 1/2" long hinge pin
2. F1609 Hinge pin holder
3. F103 Safety clip



ANTHONY REFRIGERATION HEX END DOOR CLOSER PARTS

1. D140 Torque rod (1983 - 1987)
2. F121 Torque master
• Non-reversible doors



ANTHONY REFRIGERATION FLORESCENT TUBE SOCKETS

- 1 L1650 Top socket
- 2 L1651 Bottom socket
• Surface Mount
• For single pin tubes
- 3 L133HOT Top socket
- 4 L132HOB Bottom socket
• Flush Mount
• For double recessed contact tubes