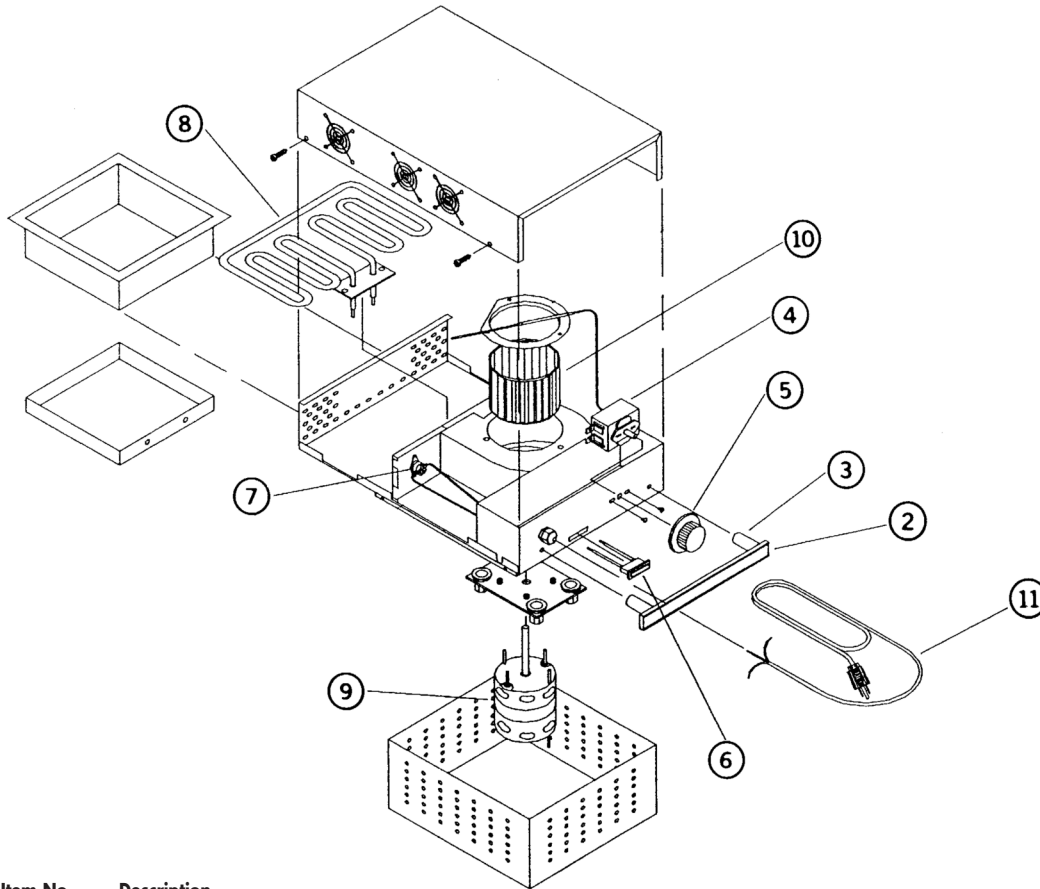


CARTER HOFFMAN FH90 HEATER

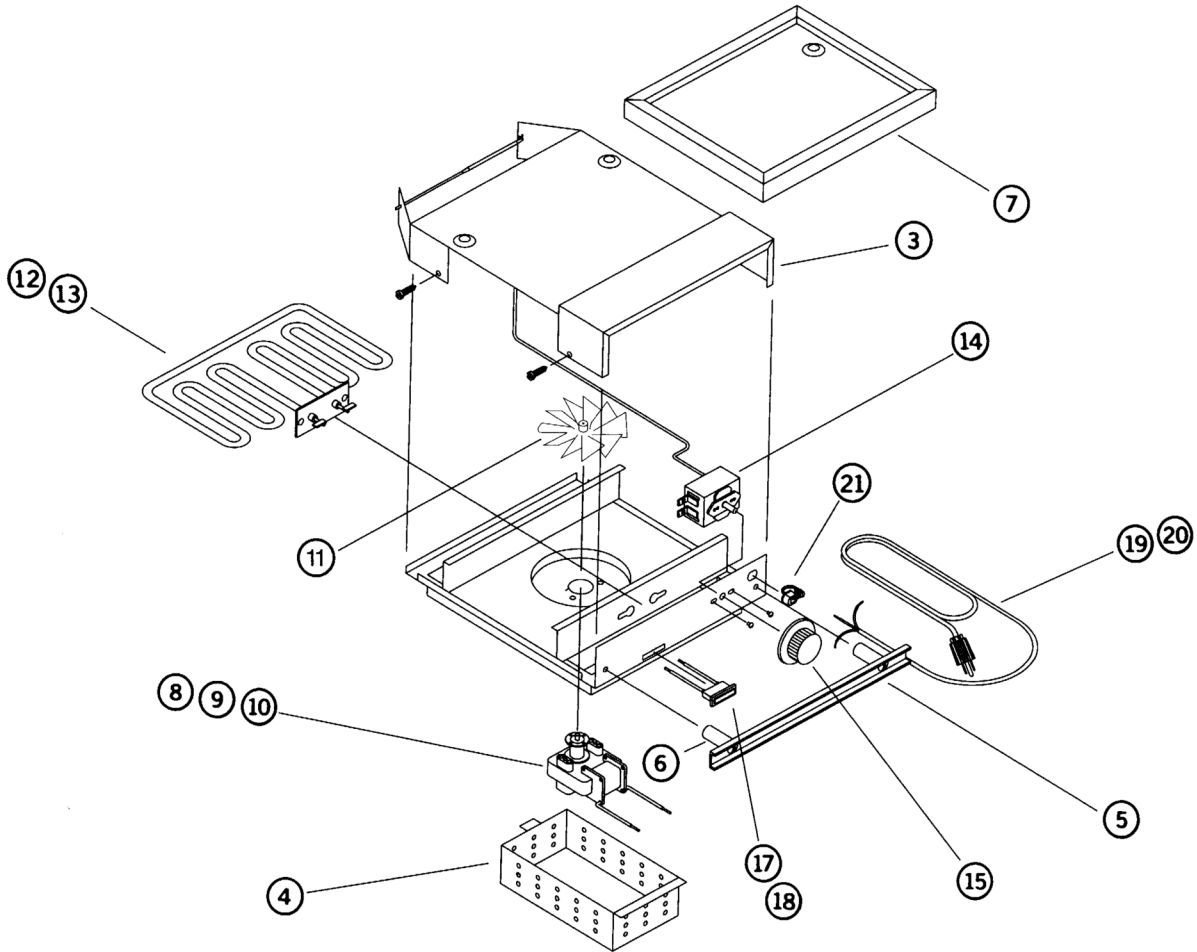
CARTER HOFFMAN



Ref. No.	Item No.	Description
1	FH90-0015B	FH90 heater 120 volt 1600 watt
1	FH90-0008B	FH90 heater 220 volt 1600 watt
2	18608-0014	Handle
3	18617-0850	Spacer 1/4 I.D. x 1
4	18600-0015	Thermostat
5	18608-0010	Knob
6	18601-1185	Indicator light 120 volt
7	18600-0053	High limit snap disc 400 F
8	18612-0261	Element 120 volt
9	18614-0320	Fan motor dual voltage
10	18614-0321	Fan blade
11	18605-0017	Power cord (per foot)



CARTER HOFFMAN FH80 HEATER BB,PH SERIES (1970 TO PRESENT)



Ref. No.	Item No.	Description
1	27080-0010	FH80 heater 120 volt complete assembly
2	27080-0123	FH80 heater 220 volt complete assembly
3	16501-1034	Element cover
4	16501-0760	Motor cover
5	16501-1103	Handle
6	18617-0850	Spacer 1/4 I.D. x 1
7	11270-2010	Water pan
8	18603-0025	Fan motor 120 volt
9	18603-0095	Fan motor 220 volt
10	18603-0091	Fan motor 240 volt
11	18603-5090	Fan blade
12	18612-0210	Element 120 volt 1500 watt
13	18612-0190	Element 220 volt 1700 watt
14	18600-0010	Thermostat
15	18608-0010	Knob
16	18602-0030	On/off toggle switch 120/220 volt
17	18601-0070	Indicator light 120 volt
18	18601-0080	Indicator light 220 volt
19	18605-0010	Cord/plug 120 volt
20	18605-0015	Cord/plug 220 volt
21	18617-0010	Grommet strain
Not shown 18617-0100		Bushing
Not shown 16090-0289		Wiring kit
Not shown T1000-0676		Wiring diagram 120 volt
Not shown T1000-1248		Wiring diagram 220 volt