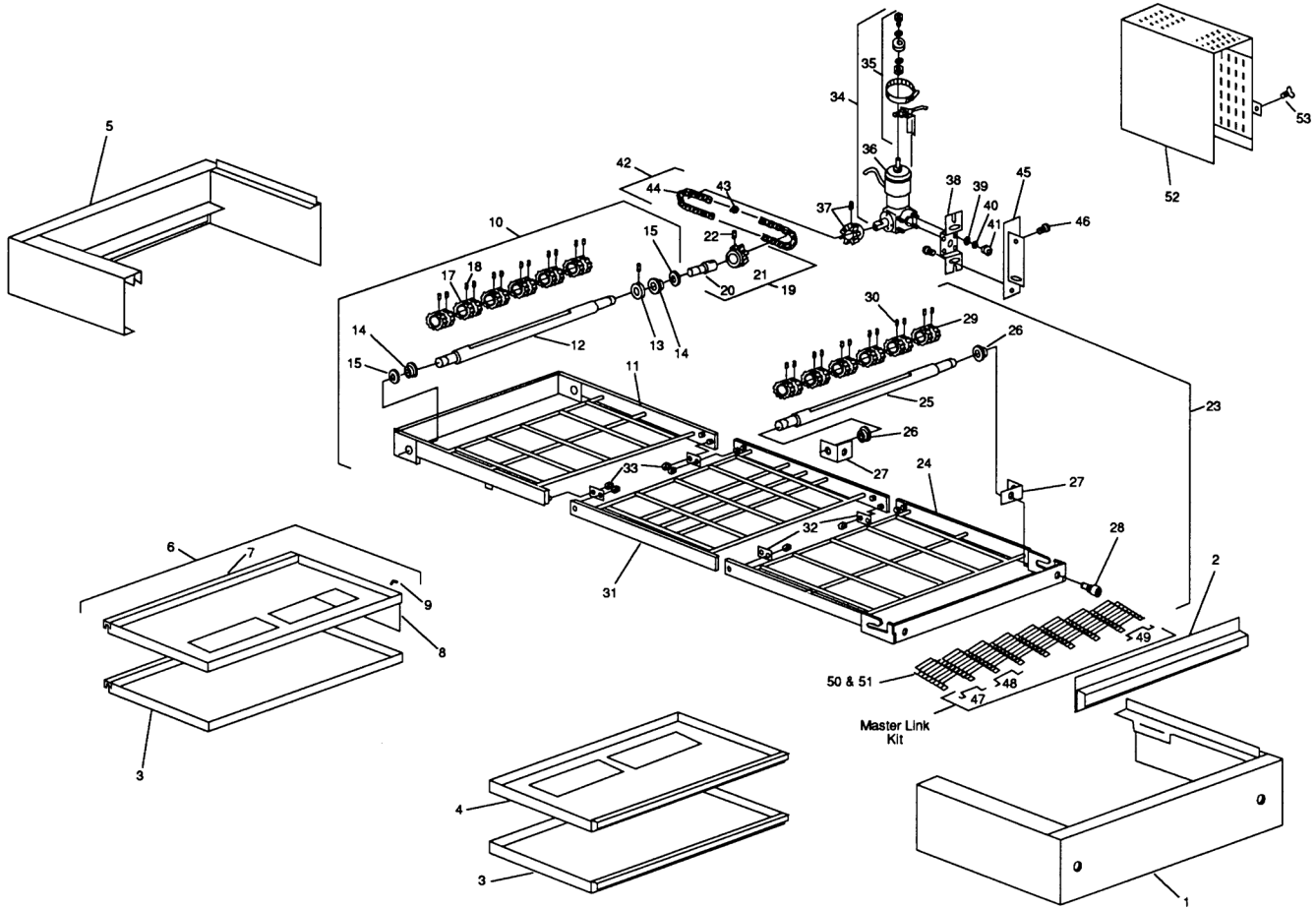


**PACESETTER OVEN SERIES MODEL PS360WB**

MIDDLEBY MARSHALL



Ref. No.	Item No.	Description
1	37000-0023	Cover, conveyor extension right
2	35000-1899	Stop-side, conveyor
3	37000-0524	Wide stop, conveyor
3	35000-1861	Crumb pan (lower double or any single oven)
4	35000-1862	Crumb pan - right end (upper double oven)
5	37000-0025	Cover - conveyor extension - left
6	42400-0593	Crumb pan assembly - left (upper double oven)
7	35000-1862	Crumb pan - left
8	35000-1079	Heat diverter
9	21516-0001	Pop rivet - stainless steel 1/8"
	42400-0594	Conveyor assembly - complete with belt
10	42400-0595	Conveyor frame assembly - left
11	37200-0026	Conveyor frame weldment - left
12	35000-1864	Conveyor drive shaft
13	22011-0013	Shaft collar with screw
14	22034-0003	Bushing 5/8" ID x 3/4" OD x 1/2" large
15	35000-1080	Spacer - nylon
17	22229-0003	Conveyor sprocket with screw
18	21276-0039	SKT set screw 1/4-28 x 3/8"
19	42400-0309	Drive sprocket assembly
20	35000-1013	Drive shaft adapter
21	22152-0017	Roller chain sprocket -9T
22	21276-0038	SKT Set Screw 10-32 x 5/16" stainless steel
23	42400-0596	Conveyor frame assembly - right
24	37200-0027	Conveyor frame weldment - right
25	35000-1865	Conveyor idler shaft
26	22034-0003	Bushing 5/8" ID x 3/4" OD x 1/2" large
27	37000-0413	Idler weldment
28	35000-1088	Conveyor adjustment bolt
29	22229-0003	Conveyor sprocket with screw
30	21276-0035	SKT Set Screw 1/4-20 x 3/8"
31	37200-0028	Conveyor inner frame weldment
32	35900-0169	Conveyor frame pivot plate
33	21176-0001	Lock nut hex 1/4-20 stainless steel
34	42400-0477	Gear motor with pick up assembly
35	217170-0263	Pick up assembly only
36	27384-0008	Reduction gear motor
	22450-0052	Brushes - conveyor drive motor (not shown)
37	22152-0018	Chain sprocket - 15T with 1/4-20 set SCR
38	35000-1021	Conveyor motor mounting bracket
39	21411-0003	Flat washer 1/4"
40	21426-0002	Lockwasher 1/4"
41	21126-0009	Hex nut 1/4-20
42	42400-0163	Roller chain assembly- 52 links
43	22273-0001	Master link
44	31000-0037	Roller chain - 52 links
45	37000-0427	Conveyor motor mounting weldment
46	21212-0002	Hex HD cap screw 1/4-20 x 3/4" large
47	33900-0088	Sold in kit 42400-0274 only
48	33900-0087	Sold in kit 42400-0274 only
49	33900-0086	Sold in kit 42400-0274 only
50	22450-0289	Conveyor chain 40" x 174" section
51	33900-0085	Conveyor chain 1 ft. section
	42400-0274	Master link kit
<p>Note: The master link kit above consists of item 47 (1 ea.), item 48 (3 or 4 each) and item 49 (1 each)</p>		
52	42400-0274	Utility shroud assembly (standard)
53	21296-0002	Wing screw