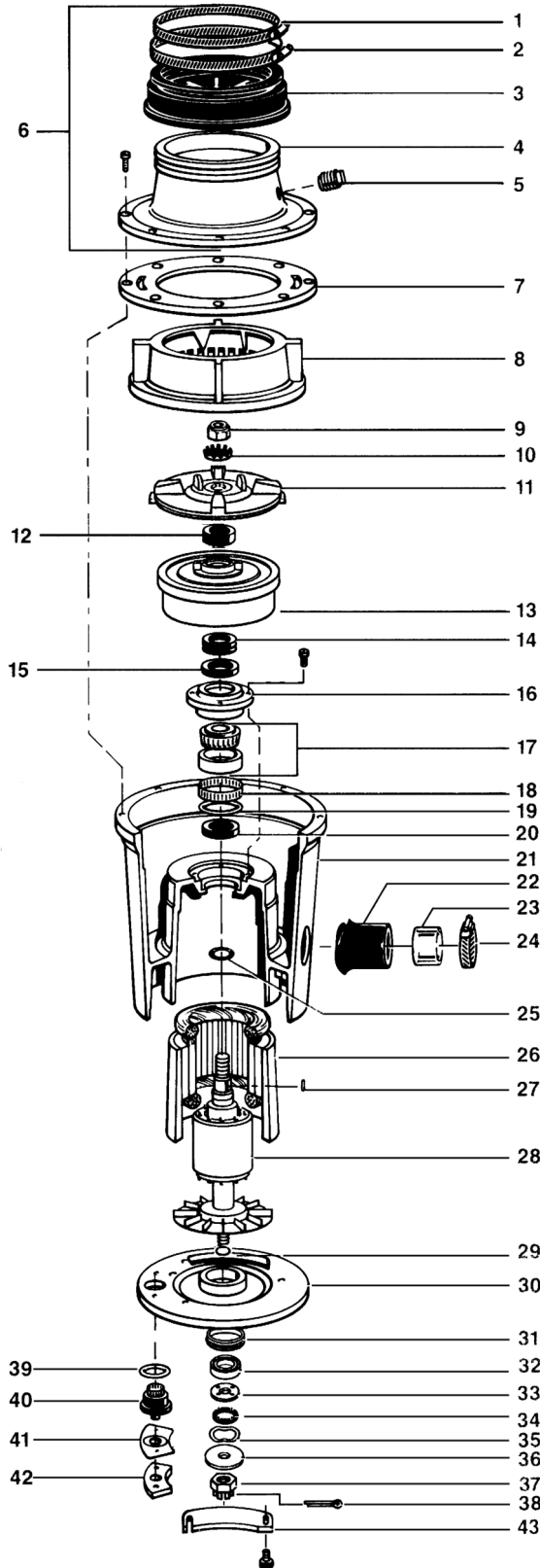


SALVAJOR MODEL 300 G SERIES DISPOSAL



Ref. No.	Item No.	Description
1	M116	Clamp
2	M128	Clamp
3	2357A	Hycar adaptor
4	N/A	Must buy THA357(6)
5	PL5	Plug
6	THA357	Top housing assy
7	996045	Gasket center(s)(c)
8	9S	Shredder (c)
9	7814RN	Rotor nut (c)
10	RL	Lock washer (c)
11	983005	Face plate (c)
12	996025	Gasket (s)
13	983008	Rotor base
14	VRCF	V-ring (s)
15	S67350	Top rotor seal (s)
16	993001	Top end bell insert (s)
17	985001	Top bearing (s)
18	AN179x15s	Tolerance ring (s)
19	12151	O-ring (s)
20	S67350	Top rotor seal (s)
21	MH	Must buy new unit
22	RDO	Rubber drain outlet
23	DI	Drain insert
24	M40	Drain clamp
25	11026	O-ring (s)
26	MH112754B	Stator and Sleeve 300
27	997070	Key way
28	991020	Motor rotor
29	996020	O-ring (s)
30	BEBA123G	Bottom end bell
31	996023	Bt end bell isolator (s)
32	6205	Bottom bearing (s)
33	987002	Drive washer (s)
34	996024	Friction washer (s)
35	987003	Washer (s)
36	987001	Retainer (s)
37	997050	Nut (s)
38	997051	Cotter pin (s)
39	123	O-ring
40	KL3003	Overload 3HP
41	KLCG	Cover gasket
42	KLC	Cover
43	JBCA	Junction box cover

Not shown
KSG123 Seal Kit
KCGRF3 Cutting kit

Note:
(s) parts included in seal kit
(c) parts included in cutting kit