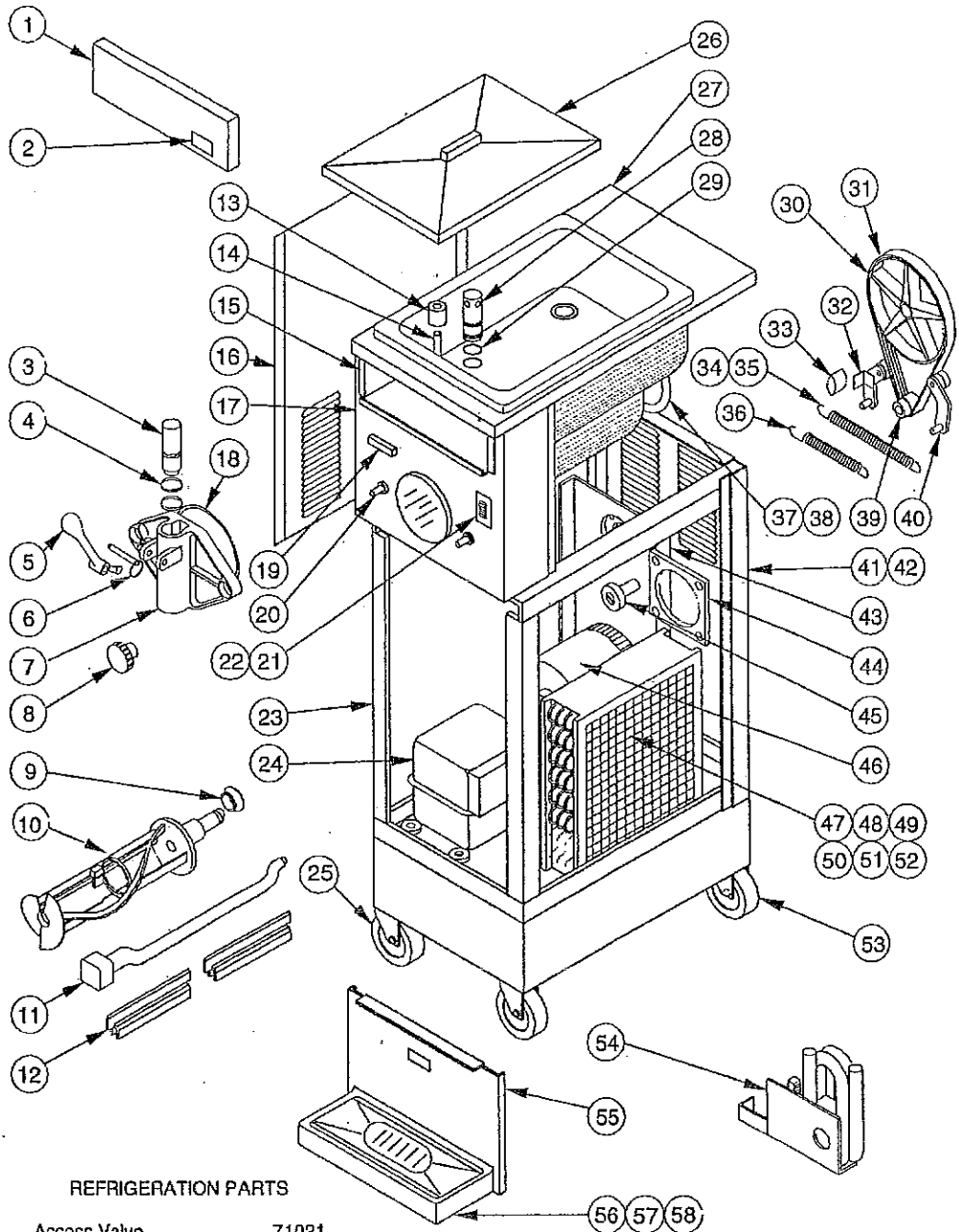


Shake Machine

608AM-APPB

PARTS LIST
(115V, 1PH, 60 HZ)
608EAP

- 1. Wiring Box Cover . . . 105346-02
- 2. Logo 9685
- 3. Spigot Plunger 105503
- 4. Plunger O-Ring (2) 58923
- 5. Spigot Handle 65632-02
- 6. Faspin 64255
- 7. Front Plate 65631-01
- 8. Front Plate Knob (2) 64065
- 9. Rear Seal 108541
- 10. Dasher 3113-01
- 11. Stator Rod 65633
- 12. Scraper Blade (2) 104984
- 13. Mix Out Float 61396-01
- 14. Reed Switch 61397-01
- 15. 1PH Wiring Box Assy. 15791-1
- 16. Side Panel (2) 106173
- 17. Upper Front Panel 105341
- 18. Front Plate O-Ring 58911
- 19. Mix Out Light 61395
- 20. Front Plate Stud (2) 7107
- 21. Switch 70023
- 22. Switch Cover 106221
- 23. Switch Decal 9510-01
- 24. Frame Assy. 105326
- 25. Compressor, 1 HP, 1PH 75794
- 26. Cap. Box Assy. 15799
- 27. Start KIT 76936
- 28. Caster (4) 188124
- 29. Mix Pan Lid 107794
- 30. Mix Pan and Evaporator
- 31. Top Cover Assy. 105453
- 32. Carb Tube 108350
- 33. Carb Tube O-Ring (2) 58947
- 34. Driven Pulley 10212
- 35. Belt 58887
- 36. Torque Idler 103248
- 37. Cushion 104648
- 38. Torque Spring 64040-02
- 39. Torque Spring Cable 103745
- 40. Idler Spring 64040-02
- 41. Drip Chute 105360
- 42. Drip Chute Hanger 105369
- 43. Drive Pulley 108892
- 44. Belt Idler 103249
- 45. A/C Back Panel 106172
- 46. W/C Back Panel 106175
- 47. Evaporator Support 106171
- 48. Motor Gasket 102427
- 49. Bearing & Shaft 2858
- 50. 1/2 HP Dasher 75699
- 51. Motor 1PH 75699
- 52. A/C Condenser Assy. 105270
- 53. Motor Bracket 7199
- 54. Fan Motor 75023
- 55. Fan Blade 75312
- 56. A/C Base Plate 106214
- 57. W/C Base Plate 106227
- 58. Wiring Barrier 106221
- 59. Cart Assy. 188383
- 60. W/C Condenser Assy. 105472
- 61. Water Valve 1593
- 62. Lower Front Panel 106174
- 63. Drip Tray Support 108968
- 64. Drip Tray Insert 108866
- 65. Drip Tray 108865



REFRIGERATION PARTS

- 56. Access Valve 71021
- 57. Cap Tube 108714
- 58. Check Valve 71148
- 59. Clamp 64094
- 60. Drier 71003
- 61. EPR Valve 71082
- 62. Expansion Valve 71035
- 63. High Pressure Switch 71090
- 64. Sight Glass 71036
- 65. Solenoid Coil 71078
- 66. Solenoid Valve 71072

*Contractor: 70547
Inside wiring box Assy*

Wiring Diagram 1PH 81306-1

UNLESS OTHERWISE SPECIFIED TOLERANCES				SANISERV INDIANAPOLIS, INDIANA 46241 2020 PRODUCTION DRIVE			
				Part: EXPLODED VIEW (115 V, 1 PH, 60 HZ)			
				Mod. No. 608I 1P		B/U to 6080020-AP	
				Drawn: GARLAND		Chkd: SP	
				Scale: NONE		Date: 5-12-96	
				1 Sheet 1		Rev. F	
				A 180947			
				DO NOT SCALE DRAWING			

Rev.	Revisions	Date	By
F	ITEM 21 SW COVER & 39 WERE 106213 & 10290	10-23-98	J439 J403

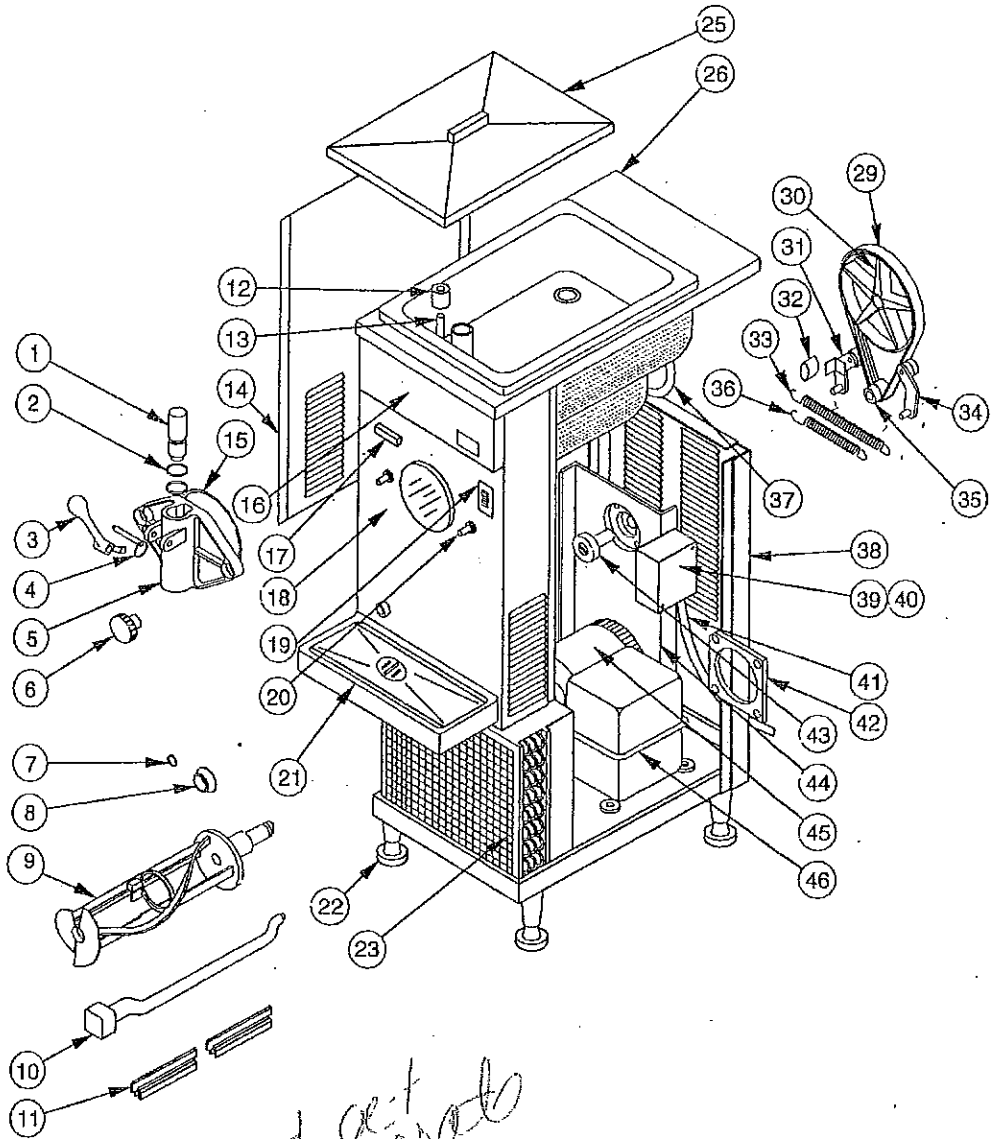
Material: _____ Mat. Sht. No. _____ Weight _____ A 180947 Rev. F

Cocktail Machine

707AM-APPB

PARTS LIST
(115V, 1PH, 60 HZ)
707A

- 1. Spigot Plunger 105503
- 2. Spigot Plunger
O-Ring (2) 58923
- 3. Spigot Handle 65632-01
- 4. Faspin 64255
- 5. Front Plate 65631-01
- 6. Front Plate Knob (2) 64065
- 7. Dasher O-Ring 58917
- 8. Rear Seal 108541
- 9. Dasher Assy 108906
- 10. Stator Rod 65633
- 11. Scraper Blade (2) 104984
- 12. Mix Out Float 61396-01
- 13. Reed Switch 61397-01
- 14. Side Panel (2) 105497-11
- 15. Front Plate O-Ring 58911
- 16. Wiring Box Cover 105314
Panel Retainer 104372
Logo 16039
- 17. Mix Out Light 61395
Mix Out Light Cable 13245
- 18. Front Panel 105490-11
- 19. Auto/Cleanout Switch 70023
Switch Decal 9510-01
- 20. Front Plate Stud (2) 7107
- 21. Drip Tray Support 108976
Drip Tray 108867
Drip Tray Insert 108868
- 22. Leg (4) 64135
- 23. Condensing Assy 76547
Fan Motor 75595
Fan Blade 76365
Shroud Guard 106802
- 24.
- 25. Mix Pan Lid 107794
- 26. Top Cover & Evaporator
Assembly 105981
- 27.
- 28.
- 29. Belt 58887
- 30. Driven Pulley 10212
key, 1/4" Sqr. 3621
- 31. Torque Idler 103248
Torque Arm Stop 105368
- 32. Cushion 104648
- 33. Torque Spring 64040-02
Adjusting Cable 103745
- 34. Belt Idler 103249
- 35. Drive Pulley 10290
Key, 3/16" Sqr. 3632
- 36. Idler Spring 64515
Spring, Tension
Adjustment Nut 2959
- 37. Drain Tube 105471
Drip Pan 107242
- 38. Back Panel 105496-11
- 39. Wiring Box Assy 15622
High Pressure Switch 71012
Bracket 106486
- 40. Wiring Box Cover 61161
- 41. Cord Set 13160
- 42. Motor
Spacer Plate 108887
Saddle, Motor Support
1/8" Spacer 104267
Motor Support (3)
1/2" Spacer 104398-02
Motor Support 104398-03



- 43. Bearing & Shaft 2858
- 44. Evaporator Support 107581
- 45. 1/2 HP Dasher Motor 75272
Ground Wire 104194
- 46. 1/2 HP Compressor 75212
Start Capacitor 76470
Compressor Overload 76471
Current Relay 76472

REFRIGERATION PARTS

- 3/8" Access Valve 71021
- Drier 71022
- Expansion Valve 71035
- Sight Glass 71036

Wiring Diagram 1PH, 81173-02

Material:

Mat. Sck. No.

Weight

A

180876

Rev. L

Rev.	Revisions	Date	By
L	ITEM 21 WAS 107523,102054,101948	11-27-98	0214
K	ITEM 35 WAS 10290	10-24-97	0152
J	ITEM 23 WAS 75552 ITEM 16 WAS 105314-02, 16038 ITEM 24 WAS 105751 ITEM 37 WAS 105470, 105369	8-6-97	0178

UNLESS OTHERWISE SPECIFIED TOLERANCES

DECIMAL FRACTIONAL
.X ±.015 ±1/64
.XX ±.010 ANGULAR
.XXX ±.005 ±1|

REMOVE ALL BURRS AND BREAK SHARP EDGES
DO NOT SCALE DRAWING

SANISERV INDIANAPOLIS, INDIANA 46241 2020 PRODUCTION DRIVE			
Part: EXPLODED VIEW (115 V, 1 PH, 60 HZ)			
Mod. No. 707A		B/U to 7070010-01 / 0011-KB	
Drawn: GARLAND		Chkd. <i>CM</i>	Date: 3-5-97
Scale: NONE	1 Sheet 1	A 180876	Rev. L